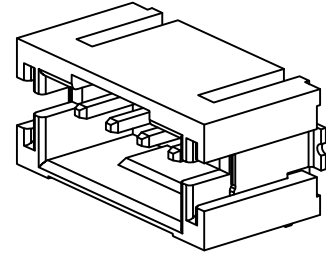


RoHS 2.0

REV.	ECN NO.	DESCRIPTION	DATE	DESIGN
A0.	/.	新版发行	2021.11.27	Willming

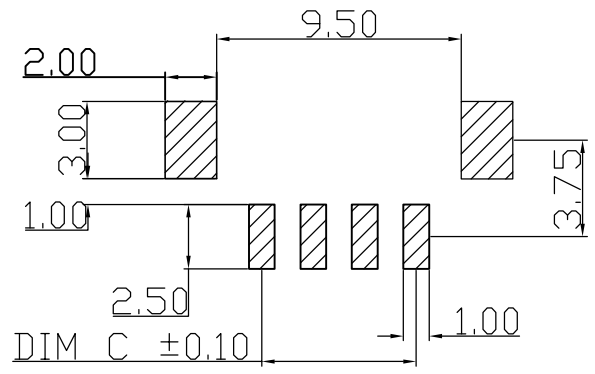
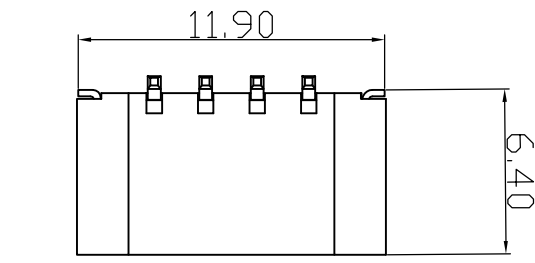
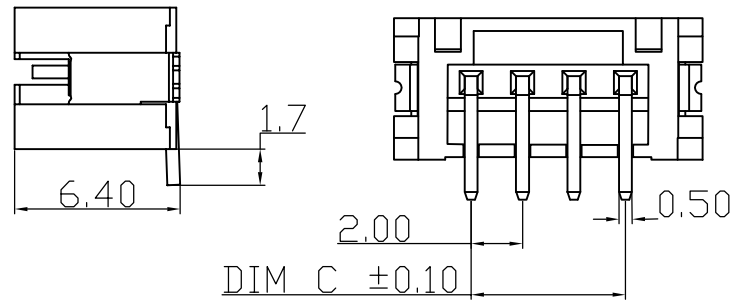
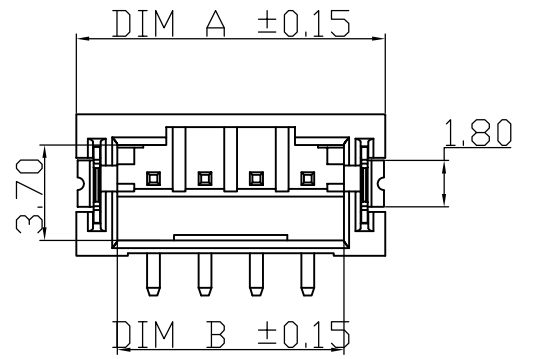
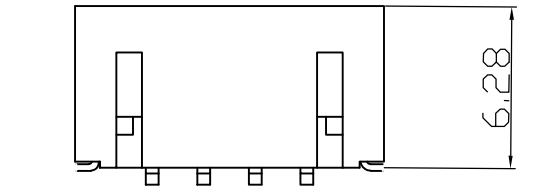
PIN	DIM A	DIM B	DIM C
2P	8.00	4.80	2.00
3P	10.00	6.80	4.00
4P	12.00	8.80	6.00
5P	14.00	10.80	8.00
6P	16.00	12.80	10.00



3D View

Specifications:

1. Rated Voltage : 250V AC/DC
2. Rated Current : 5A AC,DC
3. Withstand Voltage : 200V AC/minute
4. Contact Resistance : 50mΩ(MAX.)
5. Insulation Resistance : 1000MΩ(MIN.)
6. Storage Temperature Range: -40°C~+85°C;
7. Operation Temperature Range: -25°C~+70°C;



RECOMMENDER P.C.B.LAYOUT TOP VIEW

3	插片	黄铜H65	镀镍锡	
2	插针	黄铜H65	镀镍锡	
1	底座	LCP	本色	
序号	品名	材质	电镀/颜色	备注

深圳虹成电子有限公司

UNLESS OTHERWISE, GENERAL TOLERANCE: X. xxx ±0.05 X. xx ±0.15 X. x ±0.25	NAME: 针座2.0立贴	P/N: HCZZ0469-5			
	DWG NO:				
THIRD ANGLE PROJECTION 	UNIT: MM	SCALE: 1:1	SIZE: A4	SHEET: 1/1	REV. A1
	DRAWN:		CHECKED:		APPROVED:
ANGULAR: X. xx° ±1° X. x° ±3° X. ° ±5°					