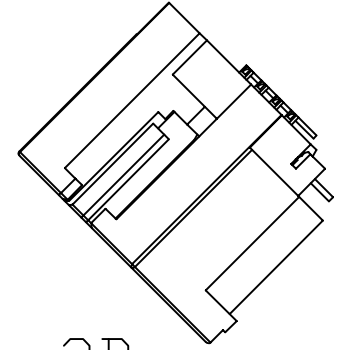
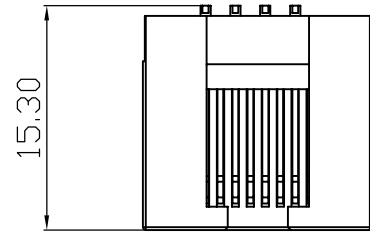
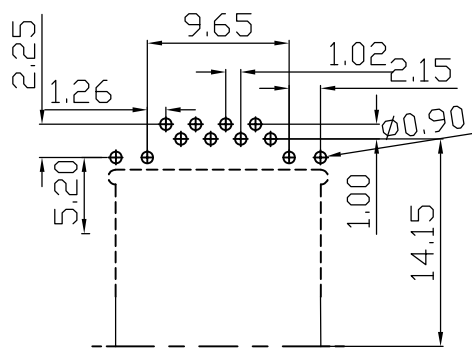
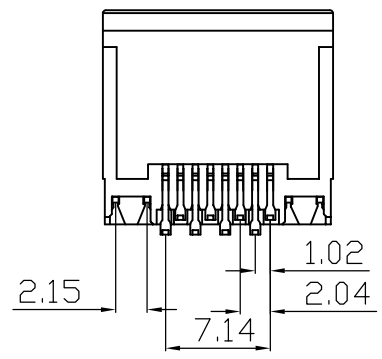
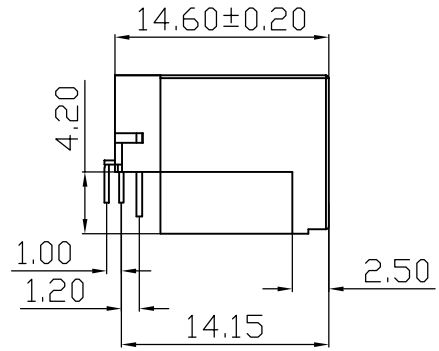
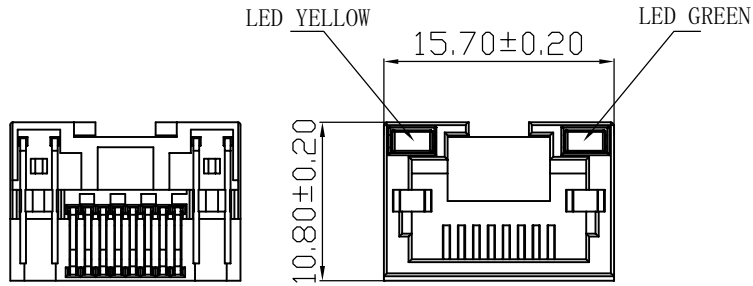


RoHS 2.0

REV.	ECN NO.	DESCRIPTION	DATE	DESIGN
A0.	/.	正式版发行		



3D



PCB参考图

NOTES:

1. MATERIAL:
 - 1.1. HOUSING: LCP ,COLOR IS BLACK;
 - 1.2. CONTACT: PHOSPHOR COPPER ;
2. FINISH: GOLD PLATED G/Fu";
4. ELECTRICAL:
 - 4.1. VOLTAGE RATING: 125 VAC RMS;
 - 4.2. CURRENT RATING: 1.5 AMP;
 - 4.3. CONTACT RESISTANCE: 35MILLIOHMS MAX.;
 - 4.4. WITHSTAND VOLTAGE: 500 VAC RMS 50(60)Hz,1MIN.;
 - 4.5. INSULATION RESISTANCE: 500MEGOHMS MIN @500V DC.;
5. MECHANICAL:
 - 5.1. MATING/UNMATING FORCE: 22N MAX.;
 - 5.2. RETENTIION STRENGTH: 50N MIN.;
 - 5.3. OPERATING LIFE: 750 CYCLES MIN.;
6. ENVIRONMENTAL:
 - 6.1. STORAGE TEMPERATURE RANGE: -40°C~+85°C;
 - 6.2. OPERATION TEMPERATURE RANGE: -25°C~+70°C;
- 7.SALT SPRAY TEST:8H(EXCLUDING RIVETED BENDS)

B	端子	磷铜	焊料区镀锡 接触区镀金(1U)	
A	基座	LCP	黑色	
序号	品名	材质	电镀/颜色	备注

深圳市虹成电子有限公司

UNLESS OTHERWISE, GENERAL TOLERANCE: X.xxx ±0.10 X.xx ±0.20 X.x ±0.30	NAME: RJ沉板4.2全塑带灯		P/N: HC-WK88-C42-QSD	
	THIRD ANGLE PROJECTION		DWG NO:	
ANGULAR: X.xx° ±1° X.x° ±3° X.° ±5°	DRAWN:	CHECKED:	UNIT: MM	SCALE 1:1
			SIZE: A4	SHEET: 1/1
			REV. A1	APPROVED: