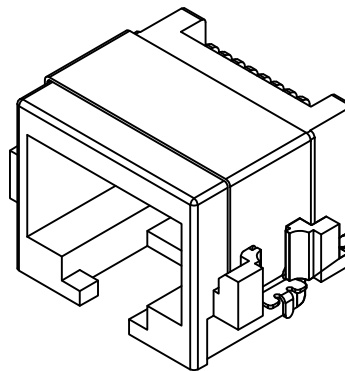
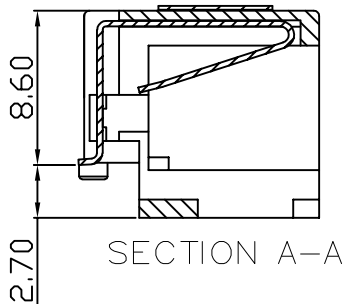
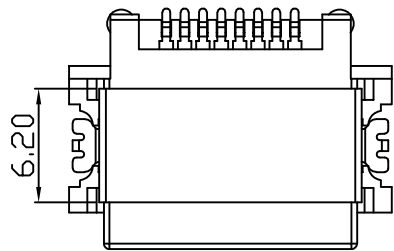


RoHS 2.0

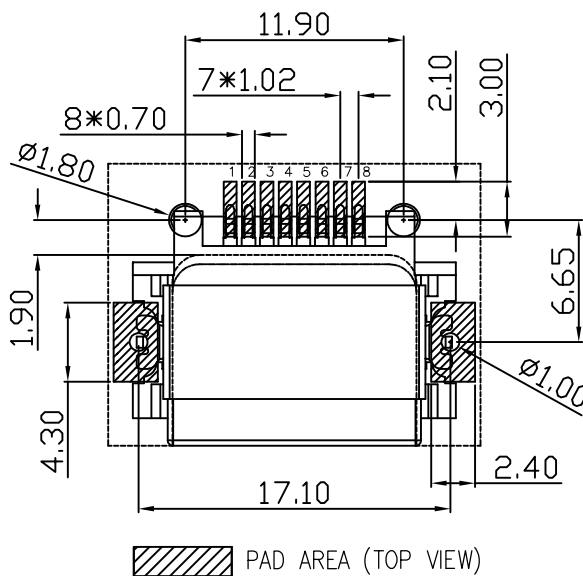
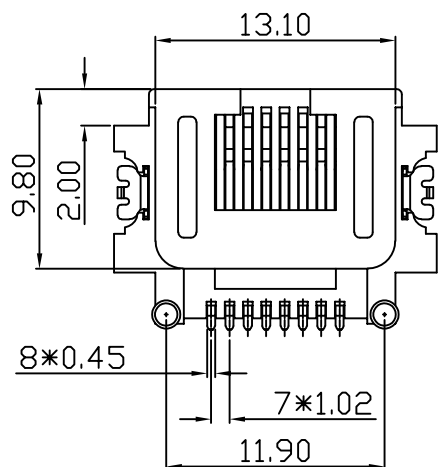
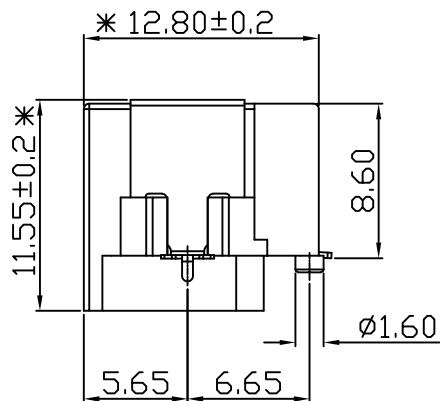
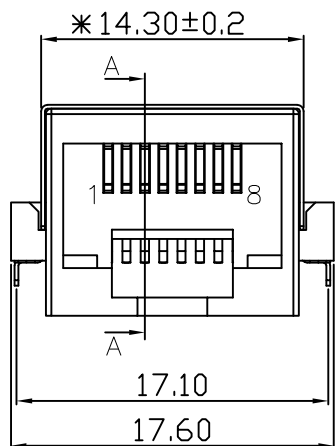
REV.	ECN NO.	DESCRIPTION	DATE	DESIGN
A1.	/.	重新核对图面	21.01.11	LiHui
A2.	/.	HD	22.09.17	LZR



3D VIEW

NOTES:

- MATERIAL:
 - HOUSING: LCP ,COLOR IS GRAY;
 - CONTACT: PHOSPHOR COPPER (C5191 T=0.30mm);
 - SHIELD: STAINLESS STEEL (304 T=0.2mm);
- FINISH:
 - CONTACT: PLATED OVER NI,GOLD PLATED G/Fu”;
 - SHELL: PLATED OVER NI;
- ELECTRICAL:
 - VOLTAGE RATING: 125 VAC RMS;
 - CURRENT RATING: 1.5 AMP;
 - CONTACT RESISTANCE: 35MILLIOHMS MAX.;
 - WITHSTAND VOLTAGE: 500 VAC RMS 50(60)Hz,1MIN.;
 - INSULATION RESISTANCE: 500MEGOHMS MIN @500V DC.;
- MECHANICAL:
 - MATING/UNMATING FORCE: 22N MAX.;
 - RETENTION STRENGTH: 50N MIN.;
 - OPERATING LIFE: 750 CYCLES MIN.;
- ENVIRONMENTAL:
 - STORAGE TEMPERATURE RANGE: -40°C~+85°C;
 - OPERATION TEMPERATURE RANGE: -25°C~+70°C;
- SALT SPRAY TEST:8H(EXCLUDING RIVETED BENDS)



▨ PAD AREA (TOP VIEW)

C	外壳	SUS304	镀镍	
B	端子	磷铜	镀镍 镀金(G/F)	
A	基座	LCP	黑色	
序号	品名	材质	电镀/颜色	备注

深圳市虹成电子有限公司

UNLESS OTHERWISE, GENERAL TOLERANCE: X.xxx ±0.10 X.xx ±0.20 X.x ±0.30	NAME:	P/N:	
	RJ沉板 (腰带式不锈钢编带)	HC-WK88-H865T-BB	
ANGULAR: X.xx' ±1' X.x' ±3' X.' ±5'	THIRD ANGLE PROJECTION	UNIT:	SCALE:
		mm	1:1
DRAWN:	CHECKED:	SIZE:	SHEET:
		A4	1/1
	APPROVED	REV.:	A1