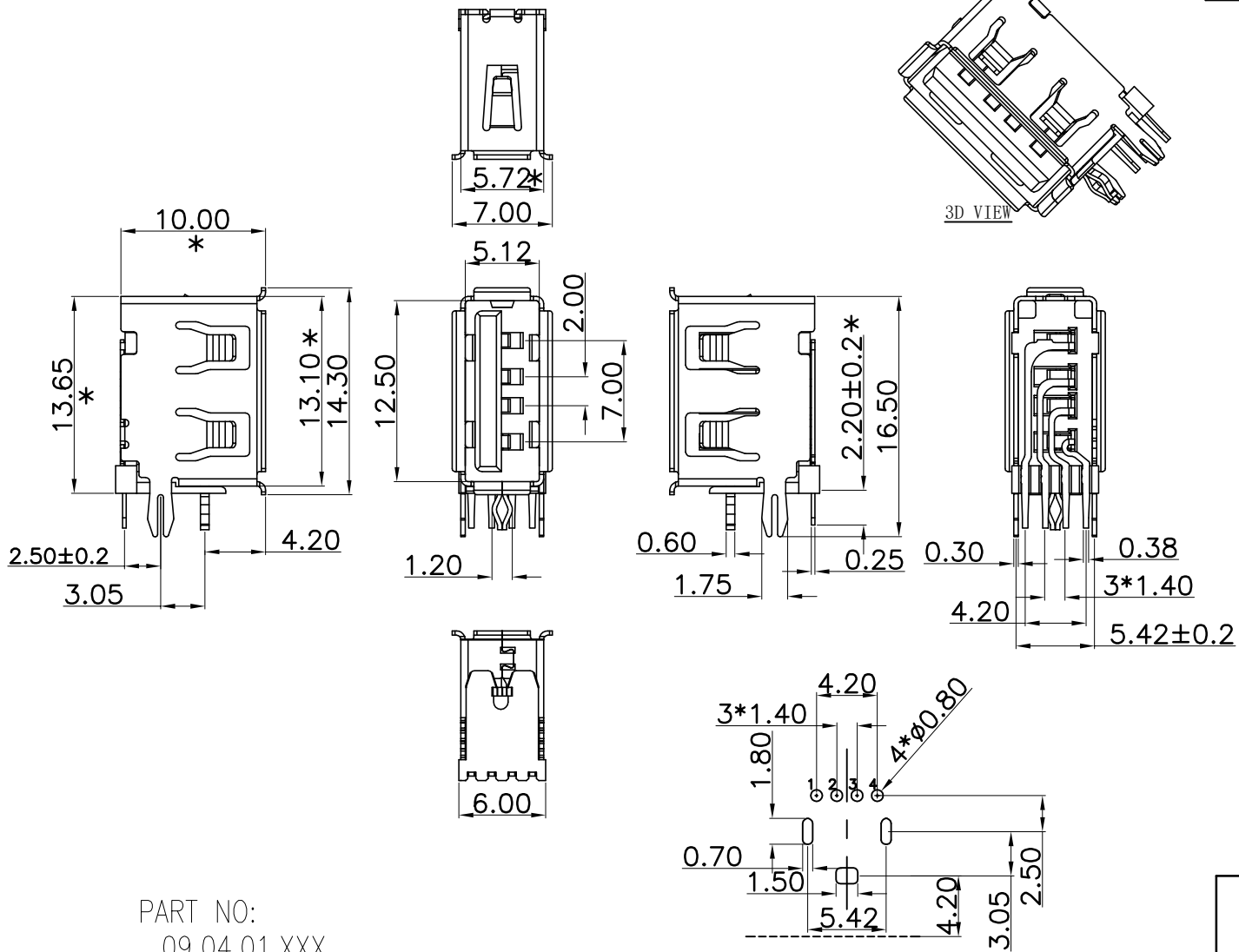
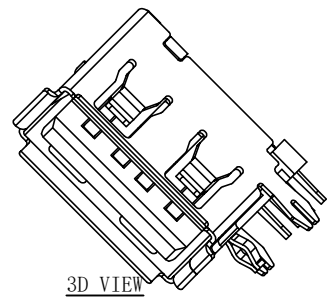


RoHS 2.0

REV.	ECN NO.	DESCRIPTION	DATE	DESIGN
A0		新版发行	19/03/05	Yang
A1		重新核对图面	20/12/30	LiHui
		HD	22/05/25	LZR



规格说明: Specifications:

电气特性: Electrical:

1. 额定电流: Current Rating  
1.5A/contact terminal
2. 额定电压: Voltage Rating  
30V DC
3. 接触阻抗: Contact Resistance  
30 milliohms MAX
4. 耐电压: Dielectric Withstanding Voltage:  
500 V AC AT Sea Level
5. 绝缘阻抗: Insulation Resistance:  
500MEGA ohms MIN

物理特性: Mechanical:

1. 插拔力: Connector Mate and Unmate Force  
Mate force: 35 N (MAX)  
Unmate force: 5-35 N
2. 耐久(寿命): 1500 Cycles Min
3. 工作温度: -25° C - +70° C
4. 存储温度: -40° C - +85° C
5. 标示“\*”为重点检验尺寸
6. 盐雾测试: 24H (不包含外壳铆合折弯处)

C	外壳	SPCC	镀镍	
B	端子	黄铜H65	镀金G/F 1U	
A	基座	PBT	白色	
序号	品名	材质	电镀/颜色	备注

PART NO:  
09.04.01.XXX

001:Black黑色  
003:White白色

RECOMMENDER P. C. B. LAYOUT TOP VIEW  
(COMPONENT SIDE TOLERANCE±0.05)

**深圳市虹成电子有限公司**

UNLESS OTHERWISE, GENERAL TOLERANCE: X. xxx ±0.10 X. xx ±0.20 X. x ±0.30	NAME: USB 2.0短体侧插L10.0PBT白色卷边	P/N: HC-USB2.0-L100-J				
	DWG NO:					
ANGULAR: X. xx° ±1° X. x° ±3° X. ° ±5°	THIRD ANGLE PROJECTION	UNIT: MM	SCALE: 1:1	SIZE: A4	SHEET: 1/1	REV: A1
	DRAWN:	CHECKED:	APPROVED:			