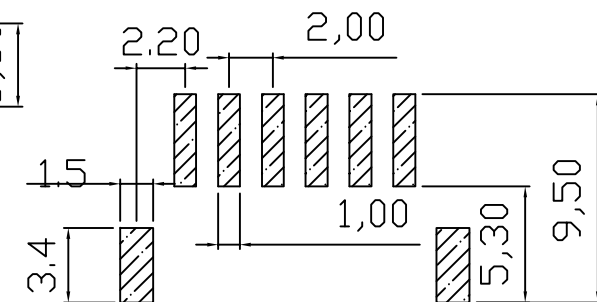
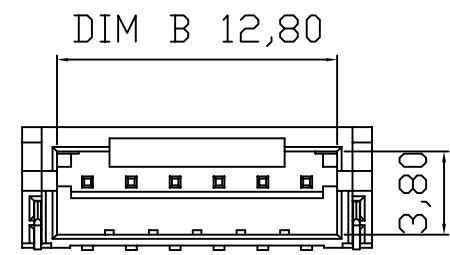
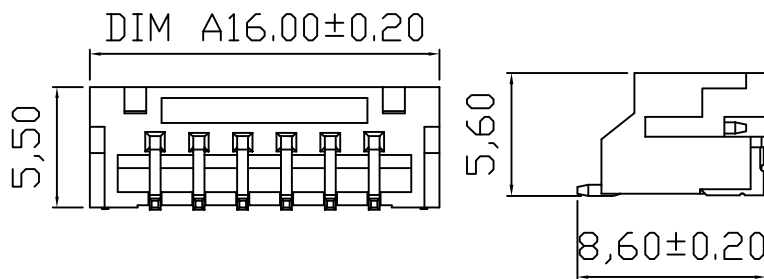
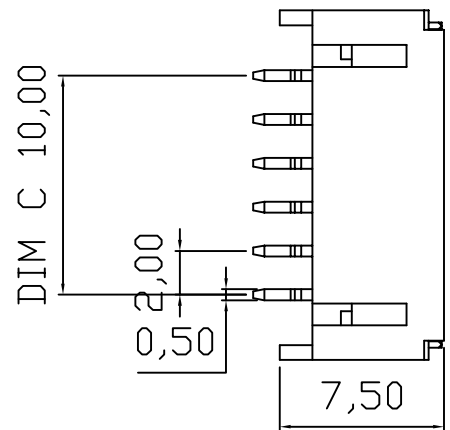


RoHS 2.0

REV.	ECN NO.	DESCRIPTION	DATE	DESIGN
A0.	/.	新版发行	2021.11.27	Willming

PIN	DIM A	DIM B	DIM C
2P	8.00	4.80	2.00
3P	10.00	6.80	4.00
4P	12.00	8.80	6.00
5P	14.00	10.80	8.00
6P	16.00	12.80	10.00



RECOMMENDER P.C.B.LAYOUT TOP VIEW

- Specifications:**
- 1.Rated Voltage:125V AC/DC
  - 2.Rated Current:2A AC,DC
  - 3.Withstand Voltage: 200V AC/minute
  - 4.Contact Resistance : 50mΩ (Max)
  - 5.Insulation Resistance:1000MO(MIN)
  - 6.Storage Temperature e Range:-40℃~+85℃;
  - 7.0peration Temperature Range:-25℃~+70℃;

3	插片	黄铜H65	镀镍锡	
2	插针	黄铜H65	镀镍锡	
1	基座	LCP	本色	
序号	品名	材质	电镀/颜色	备注

**深圳市虹成电子有限公司**

UNLESS OTHERWISE, GENERAL TOLERANCE:  
 X. xxx ±0.10  
 X. xx ±0.20  
 X. x ±0.30

NAME: 针座2.0卧贴6P  
 P/N: HCZZ0451-6  
 DWG NO:

THIRD ANGLE PROJECTION

UNIT:	SCALE	SIZE:	SHEET:	REV.
MM	1:1	A4	1/1	A0

ANGULAR:  
 X. xx° ±1°  
 X. x° ±3°  
 X. ° ±5°

DRAWN: Willming  
 CHECKED: Xiao  
 APPROVED: Tang