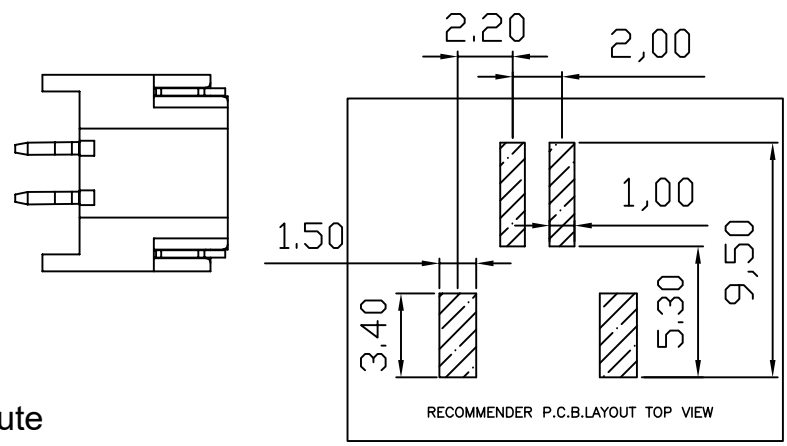
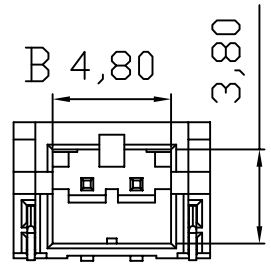
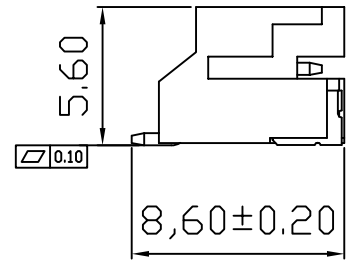
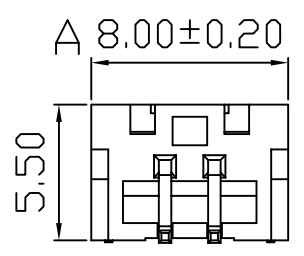
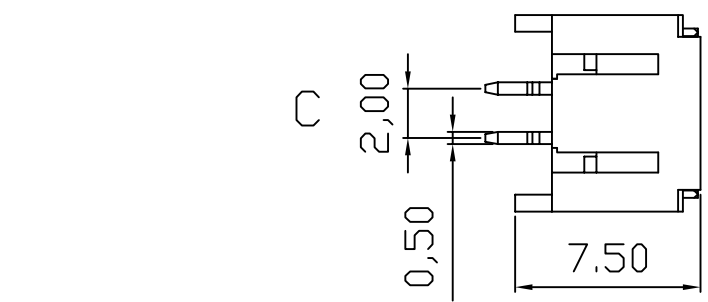


RoHS 2.0

REV.	ECN NO.	DESCRIPTION	DATE	DESIGN
A0.	/.	新版发行	2021.11.27	Willming
		HD	2022.10.11	LI

PIN	DIM A	DIM B	DIM C
2P	8.00	4.80	2.00
3P	10.00	6.80	4.00
4P	12.00	8.80	6.00
5P	14.00	10.80	8.00
6P	16.00	12.80	10.00



Specifications:

1. Rated Voltage: 125V AC/DC
2. Rated Current: 2A AC, DC
3. Withstand Voltage: 200V AC/minute
4. Contact Resistance : 50mΩ (Max)
5. Insulation Resistance: 1000MO(MIN)
6. Storage Temperature e Range: -40°C ~ +85°C;
7. Operation Temperature Range: -25°C ~ +70°C;

3	插片	黄铜H65	镀镍锡	
2	插针	黄铜H65	镀镍锡	
1	底座	LCP	本色	
序号	品名	材质	电镀/颜色	备注

深圳市虹成电子有限公司

UNLESS OTHERWISE, GENERAL TOLERANCE:
 X. xxx ±0.10
 X. xx ±0.20
 X. x ±0.30

NAME: 针座2.0卧贴2P
 P/N: HCZZ0451-2
 DWG NO:

THIRD ANGLE PROJECTION

UNIT: MM SCALE: 1:1 SIZE: A4 SHEET: 1/1 REV: A0

ANGULAR:
 X. xx° ±1°
 X. x° ±3°
 X. ° ±5°

DRAWN: Willming CHECKED: Xiao APPROVED: Tang