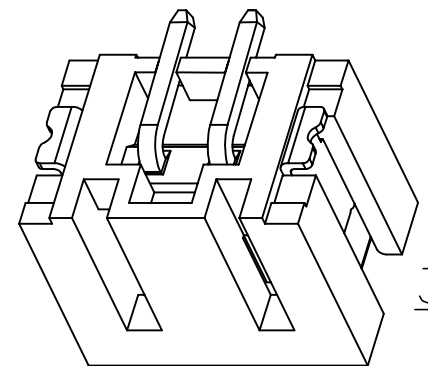


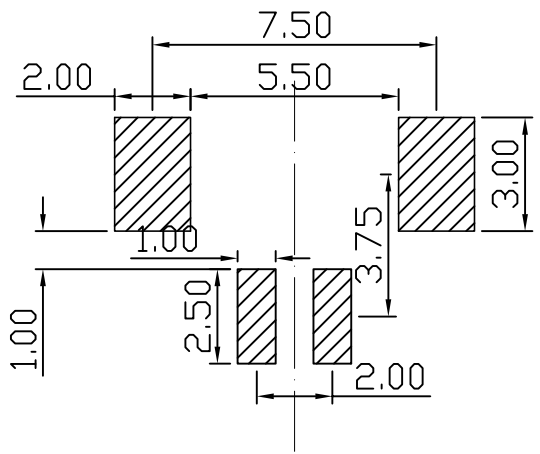
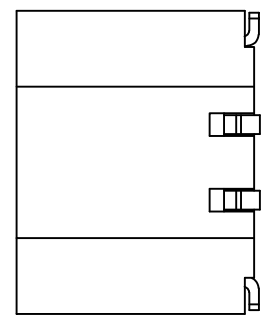
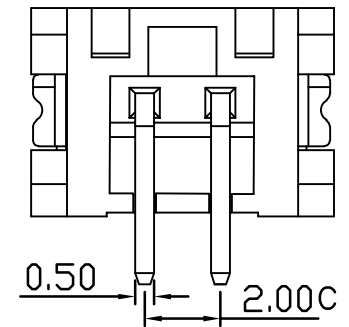
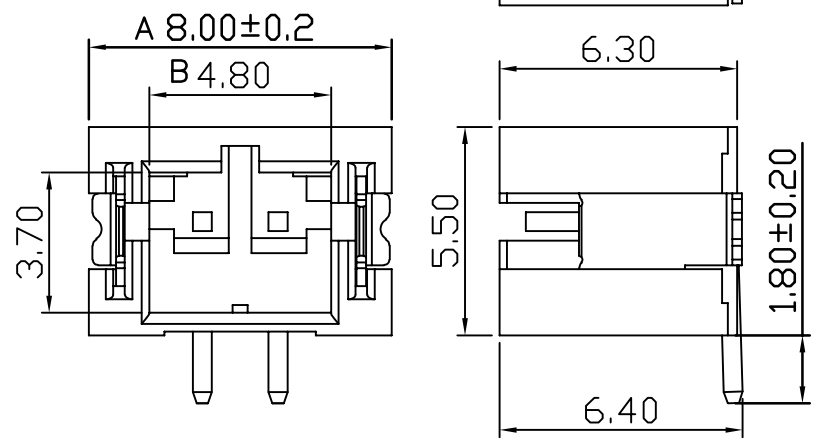
RoHS 2.0

REV.	ECN NO.	DESCRIPTION	DATE	DESIGN
A0.	/.	新版发行	2020.04.06	Yang
A1.	/.	重新校对图面	2021.01.07	LiHui

PIN数	A±0.1	B±0.1	C±0.1
2P	8.00	4.80	2.00
3P	10.00	6.80	4.00
4P	12.00	8.80	6.00
5P	14.00	10.80	8.00
6P	16.00	12.80	10.00



3D View



Specifications:

- Rated Voltage : 125V AC/DC
- Rated Current : 2A AC,DC
- Withstand Voltage : 200V AC/minute
- Contact Resistance : 50mΩ(MAX.)
- Insulation Resistance : 1000MΩ(MIN.)
- Storage Temperature Range:-40°C~+85°C;
- Operation Temperature Range:-25°C~+70°C;

3	插片	黄铜H65	镀镍锡	
2	插针	黄铜H65	镀镍锡	
1	基座	LCP	本色	
序号	品名	材质	电镀/颜色	备注

深圳市虹成电子有限公司

UNLESS OTHERWISE, GENERAL TOLERANCE: X. xxx ±0.10 X. xx ±0.20 X. x ±0.30	NAME: 针座2.0立贴2P		P/N: HCZZ0469-2	
	THIRD ANGLE PROJECTION		DWG NO:	
	UNIT: MM	SCALE: 1:1	SIZE: A4	SHEET: 1/1
ANGULAR: X. xx° ±1° X. x° ±3° X. ° ±5°	DRAWN:		CHECKED:	APPROVED: