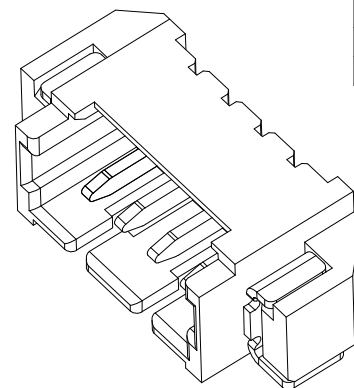


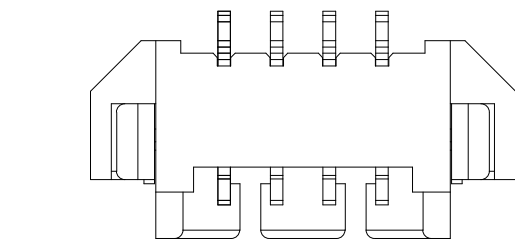
RoHS 2.0

| REV. | ECN NO. | DESCRIPTION | DATE | DESIGN |
|------|---------|-------------|----------|--------|
| A0. | / | 新版发行 | 20.04.03 | Yang |
| A1. | / | 重新核对图面 | 21.01.07 | LiHui |

| PIN数 | A±0.1 | B±0.1 | C±0.1 |
|------|-------|-------|-------|
| 2P | 7.60 | 4.50 | 1.25 |
| 3P | 8.85 | 5.75 | 2.50 |
| 4P | 10.10 | 7.00 | 3.75 |
| 5P | 11.35 | 8.25 | 5.00 |
| 6P | 12.60 | 9.50 | 6.25 |

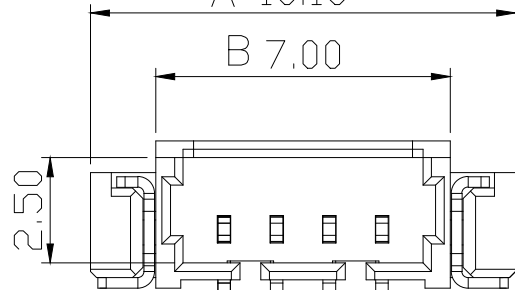


3D View

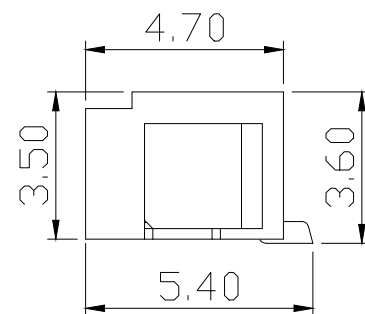


A 10.10

B 7.00



1.35

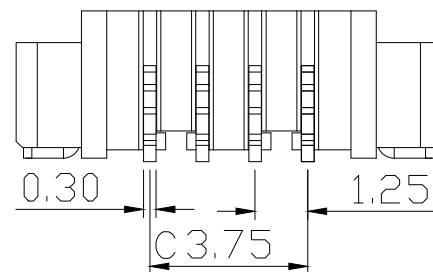


4.70

3.50

3.60

5.40



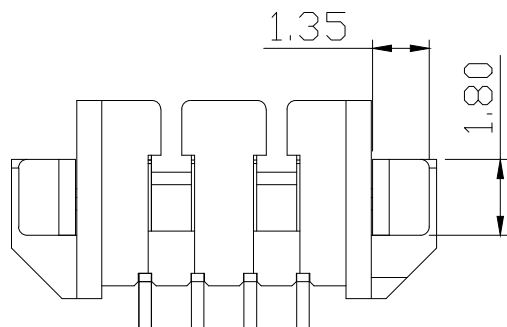
0.30

1.25

C 3.75

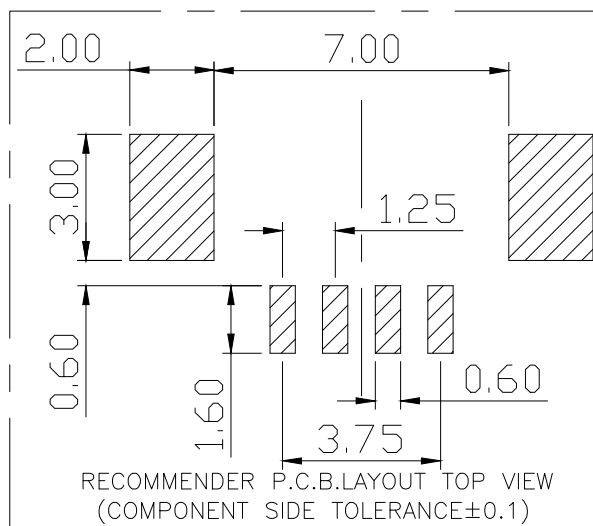
Specifications:

1. Rated Voltage : 125V AC/DC
2. Rated Current : 1A AC,DC
3. Withstand Voltage : 200V AC/minute
4. Contact Resistance : 50mΩ(MAX.)
5. Insulation Resistance : 100MΩ(MIN.)
6. Storage Temperature Range: -40°C~+85°C;
7. Operation Temperature Range: -25°C~+70°C;



1.35

1.80



RECOMMENDER P.C.B.LAYOUT TOP VIEW
(COMPONENT SIDE TOLERANCE±0.1)

| 3 | 插片 | 黄铜H65 | 镀镍锡 | |
|----|----|-------|-------|----|
| 2 | 插针 | 黄铜H65 | 镀镍锡 | |
| 1 | 底座 | LCP | 本色 | |
| 序号 | 品名 | 材质 | 电镀/颜色 | 备注 |

深圳市虹成电子有限公司

| | | | | | |
|--|----------------------------|-----------------|---------------|-------------|---------------|
| UNLESS OTHERWISE, GENERAL TOLERANCE: X. xxx ±0.05 X. xx ±0.15 X. x ±0.25 | NAME: 针座1.25卧贴4P | P/N: HCZZ0001-4 | | | |
| | | DWG NO: | | | |
| ANGULAR: X. xx° ±1° X. x° ±3° X. ° ±5° | THIRD ANGLE PROJECTION | UNIT: MM | SCALE: 1:1 | SIZE: A4 | SHEET: 1/1 |
| | DRAWN: | CHECKED: | | APPROVED: | |