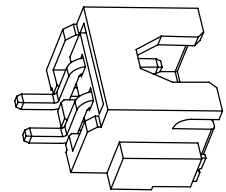


RoHS 2.0

REV.	ECN NO.	DESCRIPTION	DATE	DESIGN
A1.	/.	新版发行	2022. 12. 02	LZR
A2.	/.	新增标注	2024. 03. 28	LZR



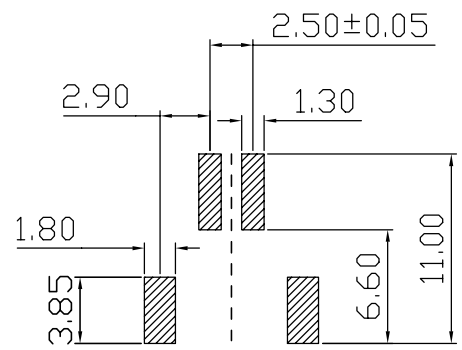
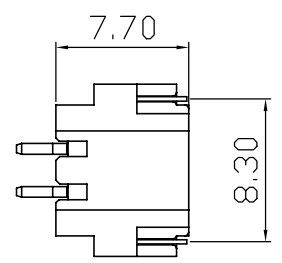
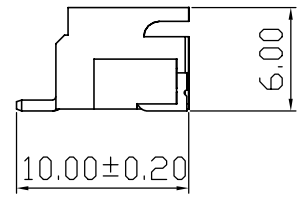
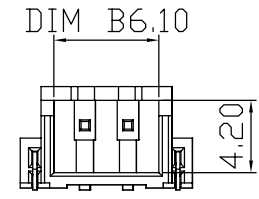
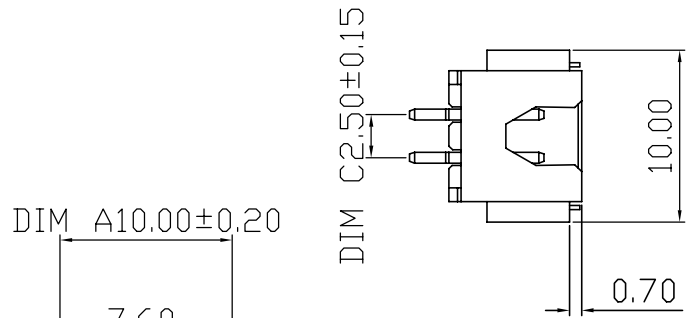
3D

PIN	DIM A	DIM B	DIM C
2P	10.00	6.10	2.50
3P	12.50	8.60	5.00
4P	15.00	11.10	7.50
5P	17.50	13.60	10.00
6P	20.00	16.10	12.50

SPECIFICATION

- 1.Contact resistance:  $\leq 10M\Omega$
- 2.Insulation resistance:  $\geq 1000M\Omega$
- 3.Rated voltage: 250 V AC DC
- 4.Rated current: 3.0 A AC DC
- 5.Withstand Voltage: 1000V AC/minute
- 6.Temperature Range :  $-25^{\circ}C \sim +85^{\circ}C$

C	插片	黄铜+65	镀镍锡	
B	插针	黄铜+65	镀镍锡	
A	底座	LCP	本色	
序号	品名	材质	电镀/颜色	备注



RECOMMENDER P.C.B.LAYOUT TOP VIEW  
(COMPONENT SIDE TOLERANCE±0.1)

**深圳市虹成电子有限公司**

UNLESS OTHERWISE, GENERAL TOLERANCE: X. xxx ±0.10 X. xx ±0.20 X. x ±0.30	NAME: 2.54针座2PIN卧贴		P/N: HCZZ0021-2				
	THIRD ANGLE PROJECTION 		UNIT: MM	SCALE: 1:1	SIZE: A4	SHEET: 1/1	REV. A1
ANGULAR: X. xx° ±1° X. x° ±3° X. ° ±5°		DRAWN:		CHECKED:		APPROVED:	