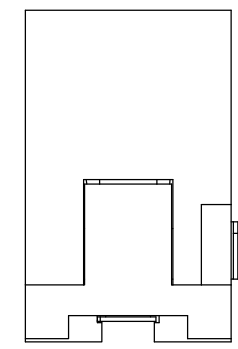
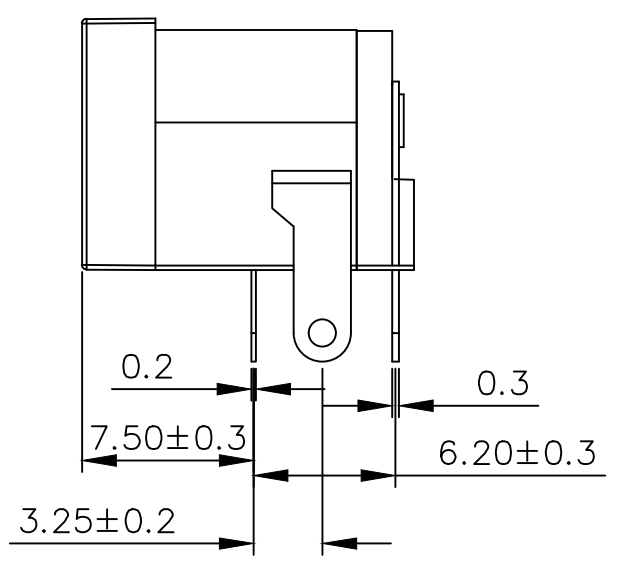
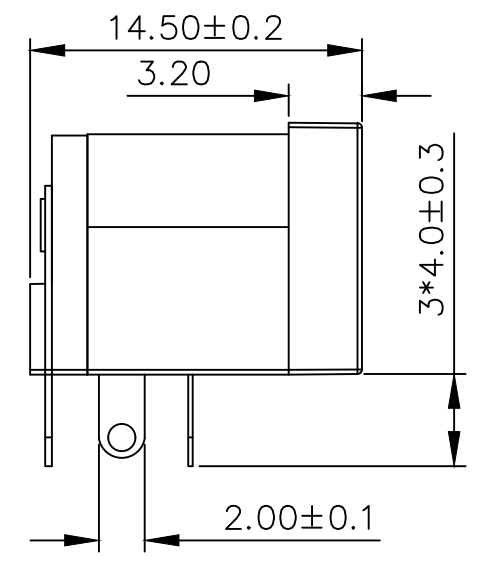
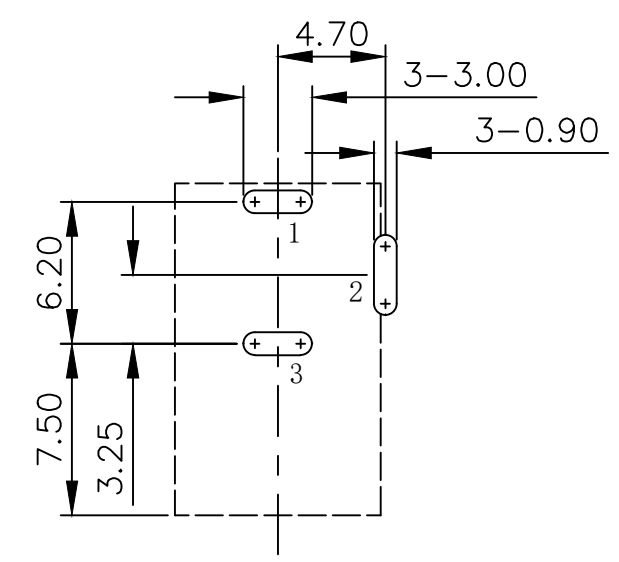
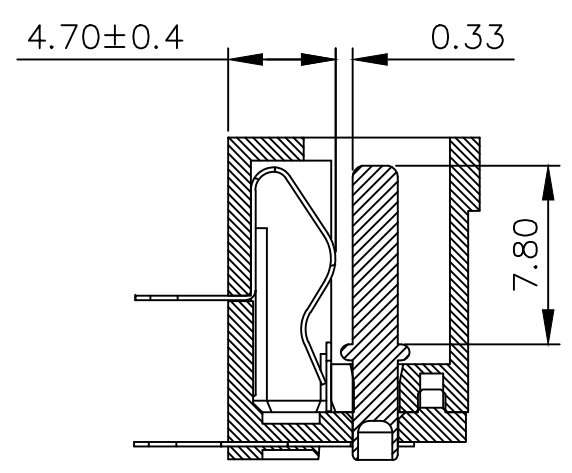
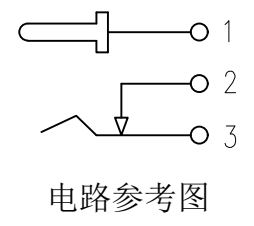
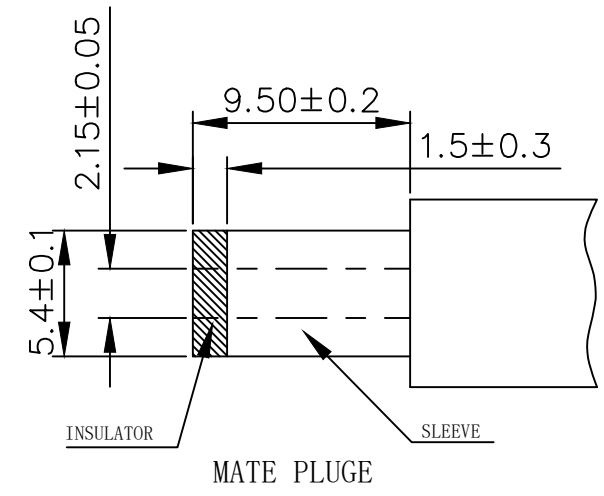
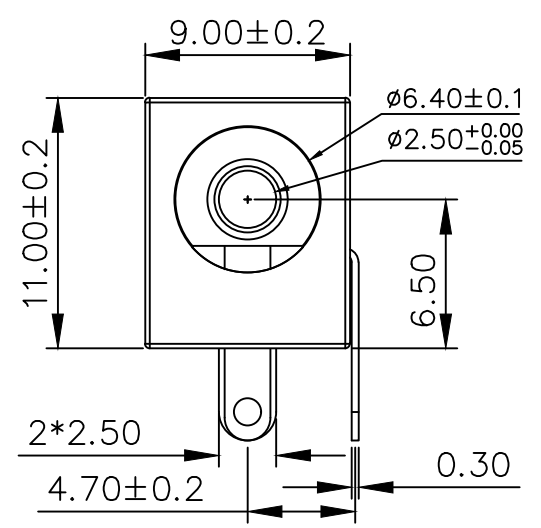


标记 MARK	ECN编号/变更内容 ECN NO/DEFINITION	修改 REVISE	日期 DATE	核准 APPROVE



- NOTES:
- MATERIAL:
 - HOUSING: PBT ,COLOR IS BLACK;
 - CONTACT: COLD ROLLED IRON(SPCC);
 - FINISH: PLATED OVER NI&SN;
 - RECINNEBDED PCB THICKNESS: 1.60mm MIN;
 - ELECTRICAL:
 - VOLTAGE RATING: 30V DC ;
 - CURRENT RATING: 1A ;
 - CONTACT RESISTANCE: 35MILLIOHMS MAX.;
 - WITHSTAND VOLTAGE: 500 VAC RMS 50(60)Hz,1MIN.;
 - INSULATION RESISTANCE: 100MEGOHMS MIN @500V DC;
 - MECHANICAL:
 - MATING FORCE: 25N MAX.;
 - UNMATING FORCE: 3~25N ;
 - OPERATING LIFE: 5000 CYCLES MIN.;
 - SALT SPRAY TEST: 12H;
 - SOLDERABILITY: 245±5°C,5±0.5S;
 - RESISTANCE TO SOLDER: 260±5°C,10±1S;
 - ENVIRONMENTAL:
 - STORAGE TEMPERATURE RANGE: -40°C~+85°C;
 - OPERATION TEMPERATURE RANGE: -25°C~+70°C;



RECOMMENDED PCB LAYOUT
TOP VIEW(TOL:±0.05)

3	芯针	铁	镀镍锡	
2	弹片	不锈钢	镀镍锡	
1	基座	PBT	黑色	
序号	品名	材质	电镀/颜色	备注

	深圳市虹成电子有限公司		品名 TITLE	DC座	
			料号 PART NO	HC-DC-005-2.5-01Q	
UNLESS OTHERWISE, GENERAL TOLERANCE:		比列 SCALE	1:1		
X.xxx ±0.10 X.xx ±0.20 X.x ±0.30		单位 UNIT	MM		
ANGULAR: X.xx' ±1' X.x' ±3' X.' ±5'		张数 PART NO	1 OF 1	制图 DRAW	AhYe
		版本 REV	A	审核 CHECKED	夏操云
				批准 APPROVE	赵亮亮

