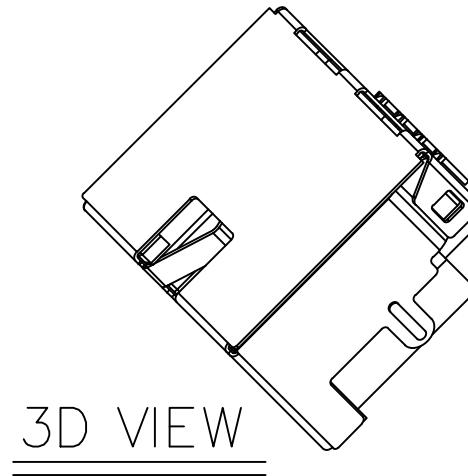
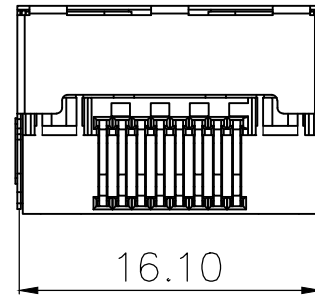
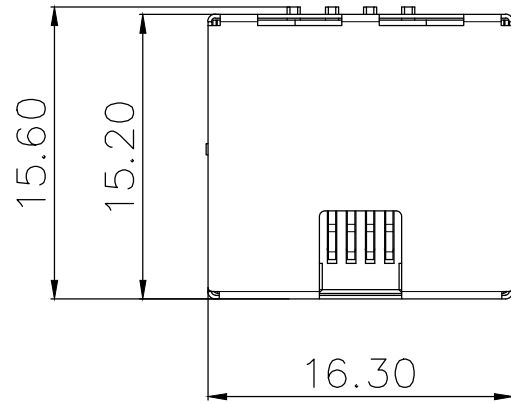


标记 MARK	ECN编号/变更内容 ECN NO/DEFINITION	修改 REVISE	日期 DATE	核准 APPROVE

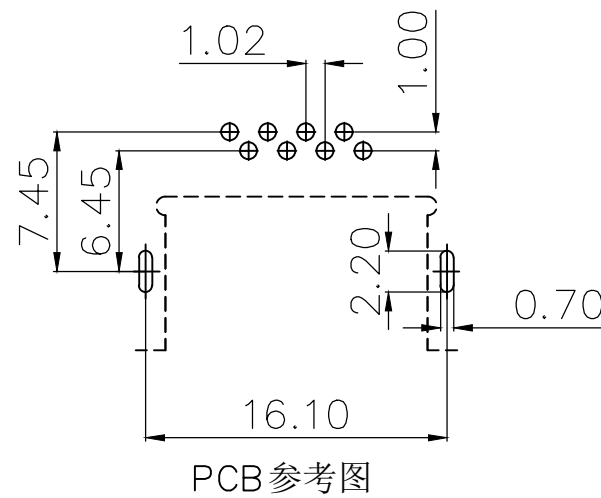
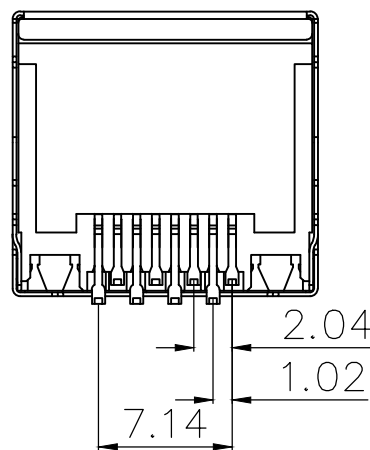
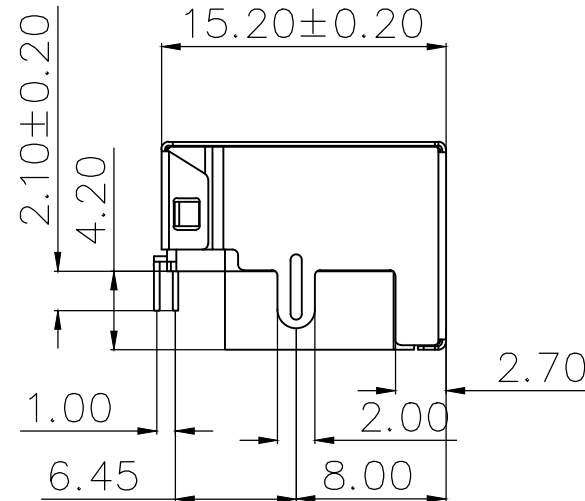
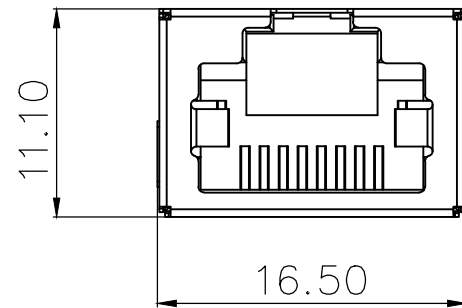


NOTES:

- 1. MATERIAL:
 - 1.1. HOUSING: LCP ,COLOR IS BLACK;
 - 1.2. CONTACT: PHOSPHOR COPPER ;
- 2. FINISH: GOLD PLATED G/Fu";
- 4. ELECTRICAL:
 - 4.1. VOLTAGE RATING: 125 VAC RMS;
 - 4.2. CURRENT RATING: 1.5 AMP;
 - 4.3. CONTACT RESISTANCE: 35MILLIOHMS MAX.;
 - 4.4. WITHSTAND VOLTAGE: 500 VAC RMS 50(60)Hz,1MIN.;
 - 4.5. INSULATION RESISTANCE: 500MEGOHMS MIN @500V DC.;
- 5. MECHANICAL:
 - 5.1. MATING/UNMATING FORCE: 22N MAX.;
 - 5.2. RETENTIION STRENGTH: 50N MIN.;
 - 5.3. OPERATING LIFE: 750 CYCLES MIN.;
- 6. ENVIRONMENTAL:
 - 6.1. STORAGE TEMPERATURE RANGE: -40°C~+85°C;
 - 6.2. OPERATION TEMPERATURE RANGE: -25°C~+70°C;
- 7.SALT SPRAY TEST: 8H(EXCLUDING RIVETED BENDS)

A
B
C
D
E
F
G

A
B
C
D
E
F
G



3	外壳	不锈钢	镀镍	
2	接触	铜	镀金G/F	
1	基座	LCP	黑色	
序号	品名	材质	电镀/颜色	备注

	深圳市虹成电子有限公司		品名 TITLE	网口	
			料号 PART NO	HC-WK88-C42-K	
UNLESS OTHERWISE, GENERAL TOLERANCE:		比列 SCALE	1:1		
X. xxx ±0.10 X. xx ±0.20 X. x ±0.30		单位 UNIT	MM	制图 DRAW	AhYe
ANGULAR: X. xx° ±1° X. x° ±3° X. ° ±5°		张数 PART NO	1 OF 1	审核 CHECKED	夏操云
		版本 REV	A	批准 APPROVE	赵亮亮

