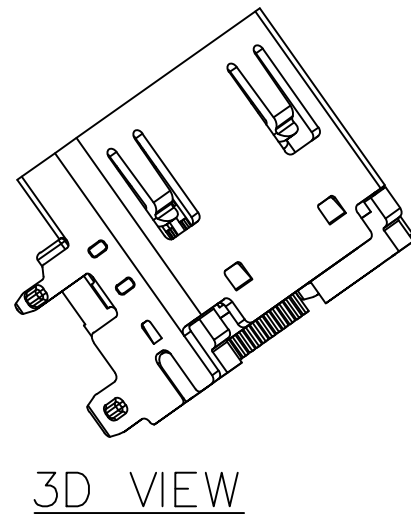
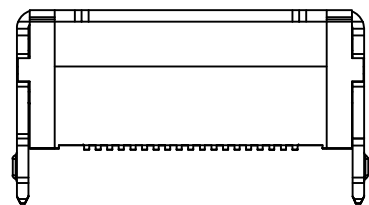
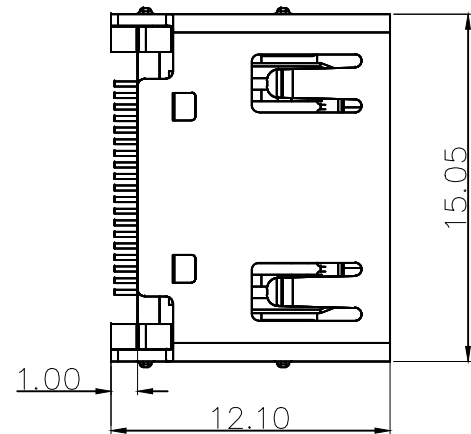
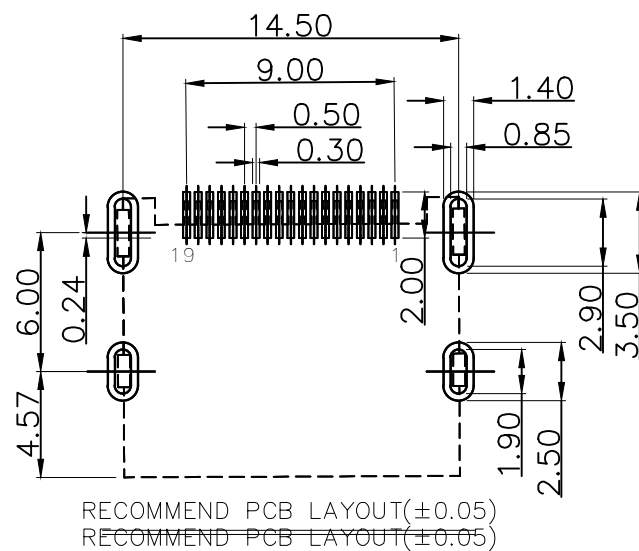
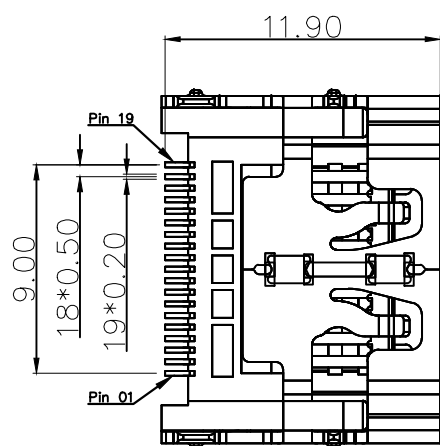
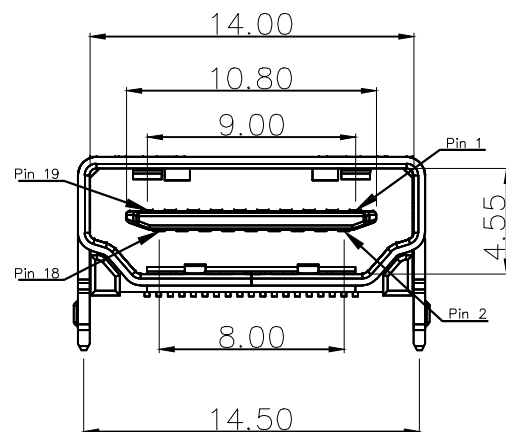
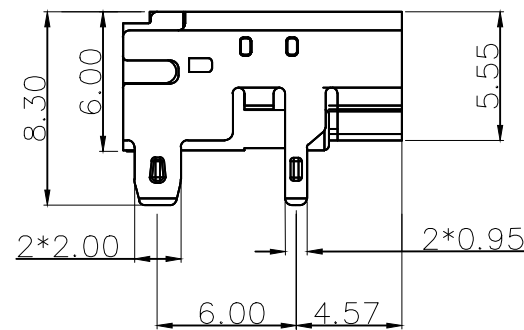


标记 MARK	ECN编号/变更内容 ECN NO/DEFINITION	修改 REVISE	日期 DATE	核准 APPROVE



NOTES

1. MATERIAL:
 - 1.1. HOUSING: LCP,COLOR IS GRAY,HIGH TEMPERATURE PLASTIC;
 - 1.2. CONTACT: BRASS(H65 T=0.20mm);
 - 1.3. SHELL: BRASS(H65,T=0.50mm);
2. FINISH:
 - 2.1. TERMINAL:
CONTACT AREA: GOLD PLATED G/Fu";
SOLDER AREA: PLATED OVER TIN;
 - 2.2. SHELL: NI PLATED OVER ALL ;
4. ELECTRICAL:
 - 4.1. VOLTAGE RATING: 40 VAC RMS;
 - 4.2. CURRENT RATING: 0.5 AMP;
 - 4.3. CONTACT RESISTANCE: 30mΩ MAX.;
 - 4.4. WITHSTAND VOLTAGE: 500 VAC RMS
50(60)Hz,1MIN.;
 - 4.5. INSULATION RESISTANCE: 100MEGOHMS MIN
@500V DC;
5. MECHANICAL:
 - 5.1. MATING FORCE: 44.1N MAX.;
 - 5.2. UNMATING FORCE: 9.8N MIN.;
 - 5.3. OPERATING LIFE: 10000 CYCLES MIN.;
6. ENVIRONMENTAL:
 - 6.1. STORAGE TEMPERATURE RANGE: -40°C~+85°C
 - 6.2. OPERATION TEMPERATURE RANGE: -25°C~+70°C;
- 7.SALT SPRAY TEST:24H(Salt spray test 24hours for gold plated area and 8 hours for tin plated area)



3	外壳	铜	镀镍	
2	接触	铜	镀金	
1	基座	LCP	灰色	
序号	品名	材质	电镀/颜色	备注

	深圳市虹成电子有限公司 TITLE 品名 料号 PART NO		HDMI座 HC-HDMI0019T-22	
	UNLESS OTHERWISE, GENERAL TOLERANCE: X.xxx ±0.10 X.xx ±0.20 X.x ±0.30 ANGULAR: X.xx° ±1° X.x° ±3° X° ±5°	比列 SCALE 1:1 单位 UNIT MM 张数 PART NO 1 OF 1 版本 REV A	制图 DRAW AhYe 审核 CHECKED 夏操云 批准 APPROVE 赵亮亮	