

A

B

C

D

E

F

G

A

B

C

D

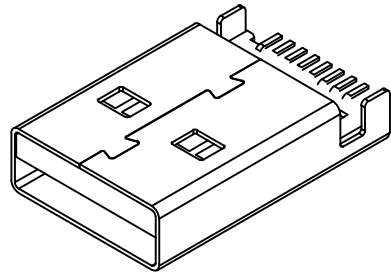
E

F

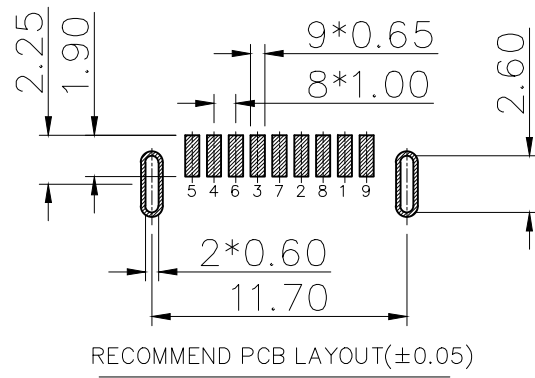
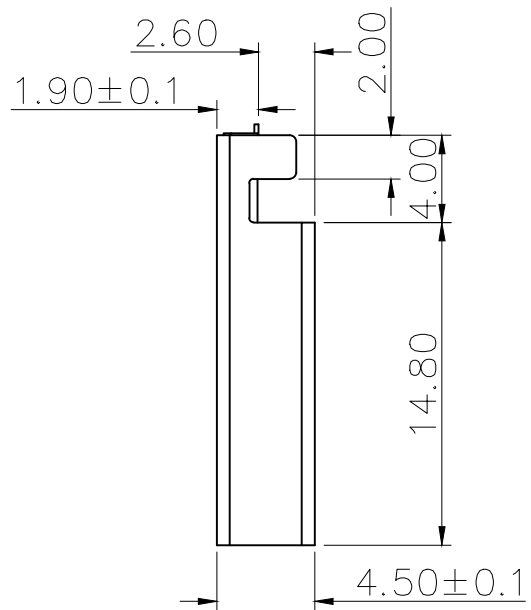
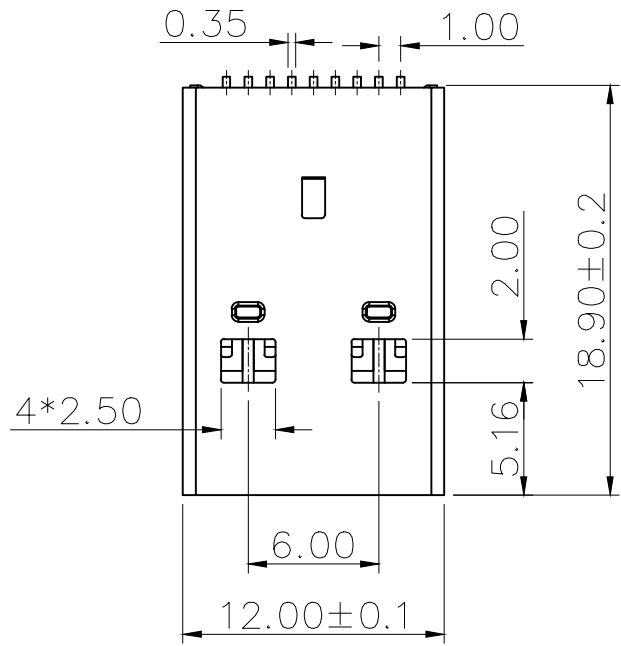
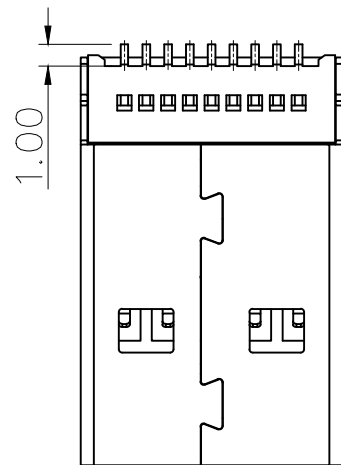
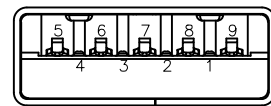
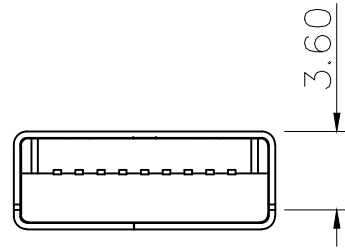
G

| PIN NUMBER | SIGNAL NAME |
|------------|-------------|
| PIN 1 | Vbus |
| PIN 2 | D- |
| PIN 3 | D+ |
| PIN 4 | GND |
| PIN 5 | StdA_SSRX- |
| PIN 6 | StdA_SSRX+ |
| PIN 7 | GND_DRAIN |
| PIN 8 | StdA_SSTX- |
| PIN 9 | StdA_SSTX+ |
| SHELL | GND |

| 标记 MARK | ECN编号/变更内容 ECN NO/DEFINITION | 修改 REVISE | 日期 DATE | 核准 APPROVE |
|------------|---------------------------------|--------------|------------|---------------|
| | | | | |



3D VIEW



NOTES :

- MATERIAL:
 - HOUSING: LCP ,COLOR IS BLUE;
 - CONTACT: BRASS,T=0.2mm;
 - SHELL: SPCC,T=0.30mm;
- ELECTRICAL:
 - VOLTAGE RATING: 30 VAC RMS;
 - CURRENT RATING: 1.5 AMP;
 - CONTACT RESISTANCE: 30MILLIOHMS MAX.;
 - WITHSTAND VOLTAGE: 500 VAC RMS
50(60)Hz,1MIN.;
 - INSULATION RESISTANCE: 100MEGOHMS MIN @500V DC;
- MECHANICAL:
 - MATING FORCE: 35N MAX.;
 - UNMATING FORCE: 5~35N;
 - OPERATING LIFE: 1500 CYCLES MIN.;
- FINISH:
 - TERMINAL:
 - CONTACT AREA: GOLD PLATED G/Fu”;
 - SOLDER AREA: PLATED OVER TIN;
 - SHELL: NI PLATED OVER ALL ;
- ENVIRONMENTAL:
 - STORAGE TEMPERATURE RANGE: -40°C~+85°C ;
 - OPERATION TEMPERATURE RANGE: -25°C~+70°C ;
- SALT SPRAY TEST: 24H(Excluding riveted bends)

| 3 | 外壳 | 铁 | 镀镍 | |
|----|----|-----|-------|----|
| 2 | 接触 | 铜 | 镀金 | |
| 1 | 基座 | LCP | 蓝色 | |
| 序号 | 品名 | 材质 | 电镀/颜色 | 备注 |

| | | | | | |
|--|--------------------|---------------|---------------|-----------------|------|
| | 深圳市虹成电子有限公司 | | 品名 TITLE | USB座 | |
| | | | 料号 PART NO | HC-USB3.0-C26-D | |
| UNLESS OTHERWISE, GENERAL TOLERANCE: <ul style="list-style-type: none"> X.xx ±0.10 X.xx ±0.20 X.x ±0.30 ANGULAR: <ul style="list-style-type: none"> X.xx° ±1° X.x° ±3° X.° ±5° | | 比列 SCALE | 1:1 | | |
| | | 单位 UNIT | MM | 制图 DRAW | AhYe |
| | | 张数 PART NO | 1 OF 1 | 审核 CHECKED | 夏操云 |
| | | 版本 REV | A | 批准 APPROVE | 赵亮亮 |

