

标记 MARK	ECN编号/变更内容 ECN NO/DEFINITION	修改 REVISE	日期 DATE	核准 APPROVE

PIN NUMBER	SIGNAL NAME
PIN 1	Vbus
PIN 2	D-
PIN 3	D+
PIN 4	GND
PIN 5	StdA_SSRX-
PIN 6	StdA_SSRX+
PIN 7	GND_DRAIN
PIN 8	StdA_SSTX-
PIN 9	StdA_SSTX+
SHELL	GND

NOTES

- MATERIAL:
  - HOUSING: PBT ,COLOR IS BLUE;
  - CONTACT: BRASS (H65 T=0.20&0.25mm);
  - SHELL: COLD ROLLED IRON (SPCC T=0.30mm);
- ELECTRICAL:
  - VOLTAGE RATING: 30V DC ;
  - CURRENT RATING: 1.5A ;
  - CONTACT RESISTANCE: 30MILLIOHMS MAX.;
  - WITHSTAND VOLTAGE: 100V AC RMS 50(60)Hz,1MIN.;
  - INSULATION RESISTANCE: 100MEGOHMS MIN @500V DC;
- MECHANICAL:
  - MATING FORCE: 35N MAX.;
  - UNMATING FORCE: 5~35N ;
  - OPERATING LIFE: 1500 CYCLES MIN.;
- PLATING:
  - TERMINAL:
    - NI PLATING OVER ALL,
    - Tin PLATING ON SOLDER AREA,
    - Au 1U" ON CONTACT AREA;
  - SHELL: NI PLATING OVER ALL;
- ENVIRONMENTAL:
  - STORAGE TEMPERATURE RANGE: -40°C~+85°C
  - OPERATION TEMPERATURE RANGE: -25°C~+70°C;
  - Salt spray test:24H(Excluding riveted bends)

A

B

C

D

E

F

G

A

B

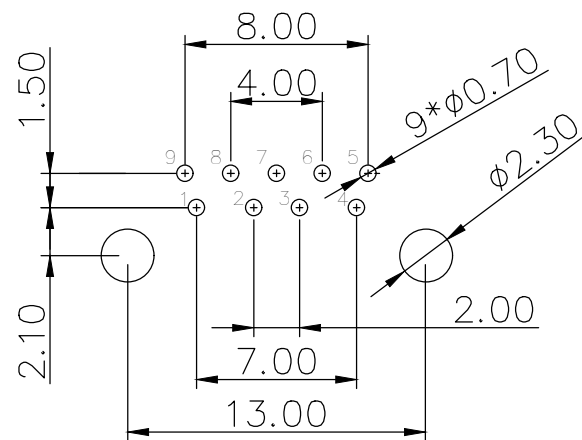
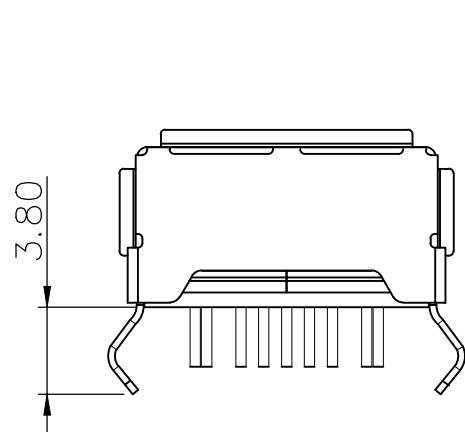
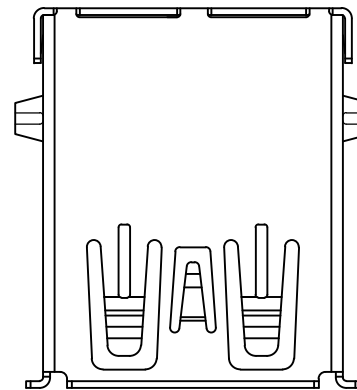
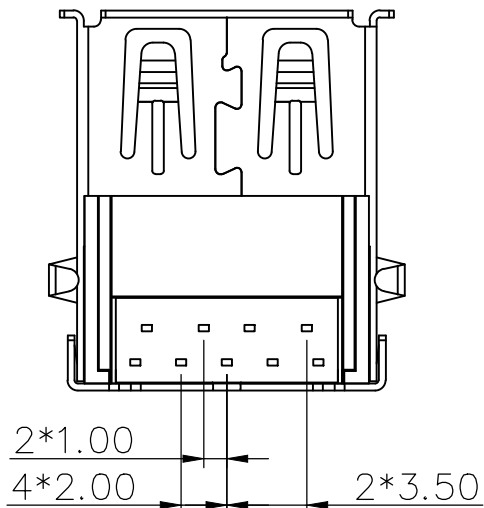
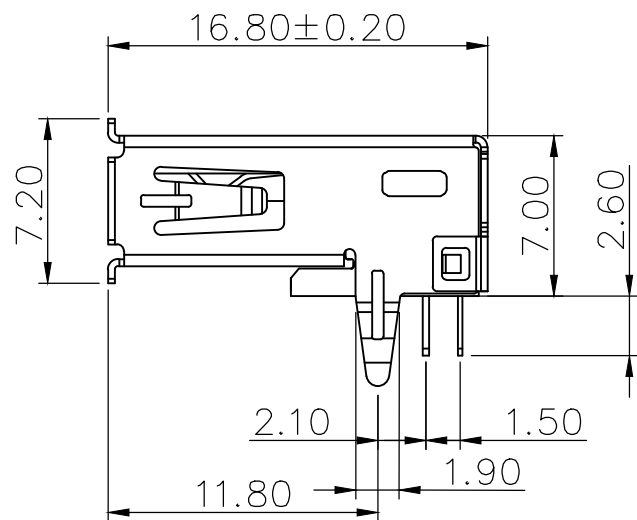
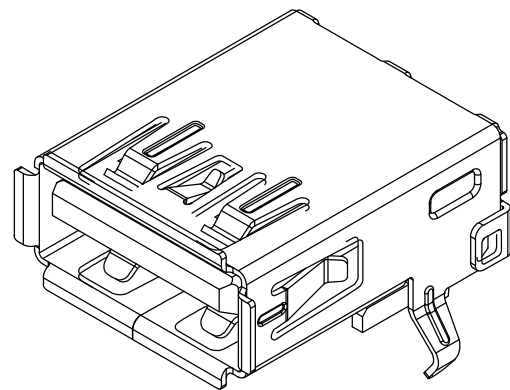
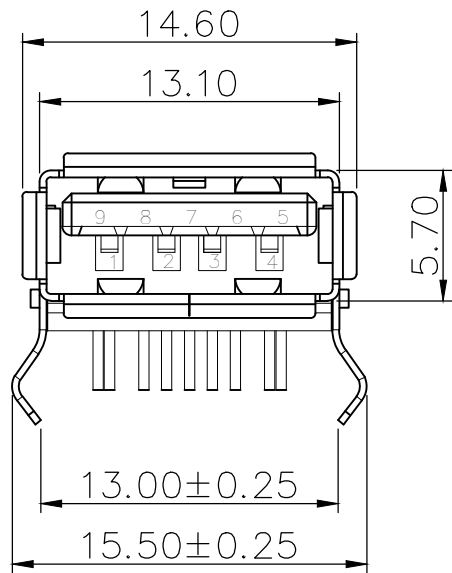
C

D

E

F

G



RECOMMENDER P. C. B. LAYOUT TOP VIEW (COMPONENT SIDE TOLERANCE±0.05)

3	外壳	铁	镀镍	
2	接触	铜	镀金	
1	基座	PBT	蓝色	
序号	品名	材质	电镀/颜色	备注

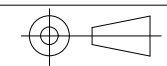


深圳市虹成电子有限公司

品名 TITLE	USB座
料号 PART NO	HC-USB3.0-L168-WJ

UNLESS OTHERWISE, GENERAL TOLERANCE:

比列  
SCALE 1:1



X. xxx ±0.10  
 X. xx ±0.20  
 X. x ±0.30

单位  
UNIT MM

制图  
DRAW AhYe

ANGULAR:  
 X. xx° ±1°  
 X. x° ±3°  
 X. ° ±5°

张数  
PART NO 1 OF 1

审核  
CHECKED 夏操云

版本  
REV A

批准  
APPROVE 赵亮亮

